

TECHNOTORC THX Series limited clearance Direct HEX drive Hydraulic Torque Wrenches are designed for extreme low spaces where normal tools cannot reach; Technotorc tools have much better accessibility. THX series can produce torque upto 45,000 Nm. All models have a very small nose radius which allows the tool to fit in those areas where space constraint is observed. The cylinder and the ratchet link can be connected by a insertion of a single pin. For Ratchet Heads various sizes of Hex reducers are available.



Limited clearance torque wrench (THX)

### Exclusive Features :

#### Safety

Innovative design that completely encloses all moving parts and eliminates pinch points

#### Powerful

External release lever allows you to release tool pressure after torquing for easy removal. Secondary pawl allows to make powerful break through

#### Accurate

All our Torque wrenches have an accuracy of  $\pm 3\%$ , all tools are calibrated and certified on in-house test bench in our facility.

#### Versatile

Quick and easy Interchangeable head design. Wide range of hex sizes available for all applications.

#### Auto Lock

Auto engagement of Piston rod in first stroke.

#### Multi-Positioning Swivel

360 x 180 degree swivel which prevents hose kinking and allows it to be used in highly confined areas. It is incorporated with safety pressure relief mechanism.

#### Light, Compact & Durable

Power Head made up of special high strength extruded Aircraft Grade Titanium - Aluminum alloys designed to give maximum strength to weight and torque to weight ratios. Minimum nose radius for trouble-free tool fit.

#### Balanced Design

Piston stroke design to minimize unbalanced forces on cylinder wall which results in less wear and longer tool life.

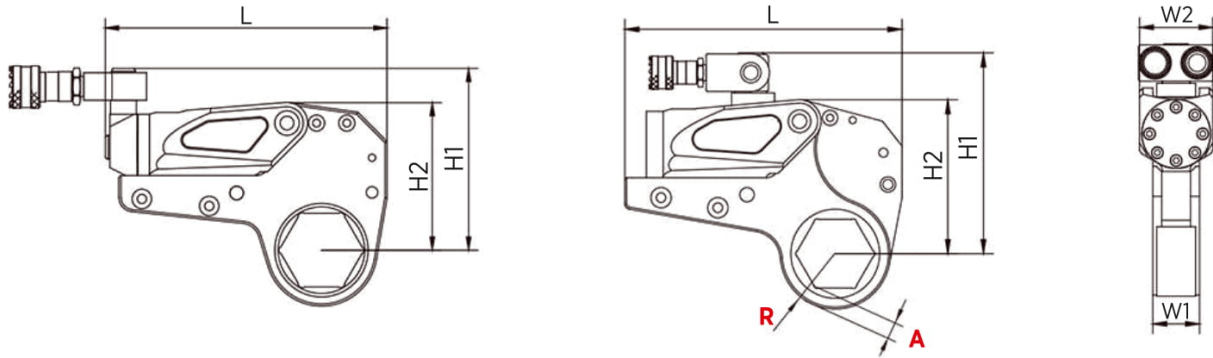
#### Warranty

Technotorc provides 2 years\* warranty on THX series torque wrenches.

#### Made in India

Designed, Manufactured and assembled in INDIA with highest level of material and quality control.

## TECHNICAL & DIMENSIONAL DATA



MODEL NO.	THX-2	THX-5	THX-10	THX-20	THX-25	THX-40
Min. Torque ft-lbs (Nm)	180 (244)	361 (489)	751 (1,017)	1,273 (1,724)	1,658 (2,247)	2,997 (4,064)
	1,870 (2534)	3,979 (5,392)	7,714 (10452)	13,233 (17,926)	16,900 (22,899)	29,974 (40,639)
Output Accuracy	+/- 3%	+/- 3%	+/- 3%	+/- 3%	+/- 3%	+/- 3%
Repeatability	100%	100%	100%	100%	100%	100%
Duty Cycle	100%	100%	100%	100%	100%	100%
Tool Weight Lbs (Kg)	5(2.2)	11(5)	21.2(9.6)	37.5(16.9)	50.7(22.9)	83.1(38)
L Inches (mm)	8.07(205)	9.89(251.3)	11.91(302.5)	14.45(367)	15.77(400.5)	18.01(457.5)
L1 Inches (mm)	5.79(147)	7.40(188)	9.17(233)	11.14(283)	12.12(308)	14.33(364)
H1 Inches (mm)	5.08(129)	6.42(163)	7.52(191)	8.78(223)	9.68(246)	11.10(282)
H2 Inches (mm)	3.94(100)	5.35(136)	6.55(166.5)	7.79(198)	8.82(224)	10.43(265)
W1 Inches (mm)	1.26(32)	1.61(41)	2.09(53)	2.52(64)	2.75(70)	3.31(84)
W2 Inches (mm)	1.97(50)	2.60(66)	3.27(83)	3.90(99)	4.33(110)	5.20(132)
R Inches (mm)	1.63(41.3)	2.12(53.8)	2.71(68.8)	3.36(85.3)	3.89(98.8)	4.56(115.8)
Common Hex Size Inches (mm)	1 1/16"-2" (27-50)	1 1/16"-2 9/16" (27-65)	2"-3 5/8" (50-90)	3 5/16"- 4 9/16" (85-115)	3 5/8"-5 5/16" (95-135)	3 15/16"-6 1/8" (100-155)

## HEXAGON CASSETTE LINKS

THX- 2 Link	HEX SIZE		THX-5 Link	HEX SIZE		THX-10 Link	HEX SIZE		THX-20/25 Link	HEX SIZE		THX-40 Link	HEX SIZE	
	Imperial	Metric		Imperial	Metric		Imperial	Metric		Imperial	Metric		Imperial	Metric
HX-2-19	3/4"	19mm	HX-5-25	1"		HX-10-41	1-5/8"	41mm	HX-20/25-50	-	50mm	HX-40-108	4-1/4"	-
HX-2-20	13/16"	-	HX-5-27	1.1/16"	27mm	HX-10-42	1-11/16"	-	HX-20/25-51	2"	-	HX-40-109	4-5/16"	-
HX-2-21	-	21mm	HX-5-28	1.1/8"		HX-10-44	1-3/4"	-	HX-20/25-52	2-1/16"	-	HX-40-110	-	110mm
HX-2-22	7/8"	22mm	HX-5-30	1.3/16"	30mm	HX-10-46	1-13/16"	46mm	HX-20/25-53	2-1/8"	-	HX-40-111	4-3/8"	-
HX-2-23	15/16"	-	HX-5-31	1.1/4"		HX-10-47	1-7/8"	-	HX-20/25-55	2-3/16"	55mm	HX-40-112	4-7/16"	-
HX-2-24	-	24mm	HX-5-32	-	32mm	HX-10-49	1-15/16"	49mm	HX-20/25-57	2-1/4"	-	HX-40-114	4-1/2"	-
HX-2-25	1"	-	HX-5-33	1-5/16"	-	HX-10-50	-	50mm	HX-20/25-58	2-5/16"	-	HX-40-115	-	115mm
HX-2-27	1.1/16"	27mm	HX-5-34	-	34mm	HX-10-51	2"	-	HX-20/25-60	2-3/8"	60mm	HX-40-116	4-9/16"	-
HX-2-28	1.1/8"	-	HX-5-35	1-3/8"	-	HX-10-52	2-1/16"	-	HX-20/25-62	2-7/16"	-	HX-40-117	4-5/8"	117mm
HX-2-30	1.13/16"	30mm	HX-5-36	-	36mm	HX-10-54	2-1/8"	-	HX-20/25-63	2-1/2"	-	HX-40-119	4-11/16"	-
HX-2-31	1.1/4"	-	HX-5-37	1-7/16"	-	HX-10-55	2-3/16"	55mm	HX-20/25-65	2-9/16"	65mm	HX-40-120	-	120mm
HX-2-32	-	32mm	HX-5-38	1-1/2"	38mm	HX-10-57	2-1/4"	-	HX-20/25-66	2-5/8"	-	HX-40-121	4-3/4"	-
HX-2-33	1.5/16"	-	HX-5-39	1-9/16"	-	HX-10-58	2-5/16"	-	HX-20/25-68	2-11/16"	-	HX-40-122	4-13/16"	-
HX-2-34	-	34mm	HX-5-41	1-5/8"	41mm	HX-10-60	2-3/8"	60mm	HX-20/25-70	2-3/4"	70mm	HX-40-123	4-7/8"	-
HX-2-35	1.3/8"	35mm	HX-5-42	1-11/16"	-	HX-10-61	2-7/16"	-	HX-20/25-71	2-13/16"	-	HX-40-125	-	125mm
HX-2-36	-	36mm	HX-5-44	1-3/4"	-	HX-10-63	2-1/2"	-	HX-20/25-73	2-7/8"	-	HX-40-126	4-15/16"	-
HX-2-37	1.7/16"	-	HX-5-46	1-13/16"	46mm	HX-10-65	2-9/16"	65mm	HX-20/25-75	2-15/16"	75mm	HX-40-127	5"	127mm
HX-2-38	1.1/2"	38mm	HX-5-47	1-7/8"	-	HX-10-66	2-5/8"	-	HX-20/25-76	3"	-	HX-40-128	5-1/16"	-
HX-2-39	1.9/16"	-	HX-5-49	1-15/16"	49mm	HX-10-68	2-11/16"	-	HX-20/25-77	3-1/16"	-	HX-40-130	5-1/8"	-
HX-2-41	1.5/8"	41mm	HX-5-50	-	50mm	HX-10-70	2-3/4"	70mm	HX-20/25-79	3-1/8"	-	HX-40-131	5-3/16"	-
HX-2-42	1.11/16"	-	HX-5-51	2"	-	HX-10-71	2-13/16"	-	HX-20/25-80	-	80mm	HX-40-133	5-1/4"	-
HX-2-44	1.3/4"	-	HX-5-52	2-1/16"	-	HX-10-73	2-7/8"	-	HX-20/25-81	3-3/16"	-	HX-40-134	5-5/16"	135mm
HX-2-46	1.13/16"	46mm	HX-5-53	2-1/8"	-	HX-10-75	2-15/16"	75mm	HX-20/25-82	3-1/4"	-	HX-40-136	5-3/8"	-
HX-2-47	1.7/8"	-	HX-5-55	2-3/16"	55mm	HX-10-76	3"	-	HX-20/25-84	3-5/16"	-	HX-40-138	5-7/16"	-
HX-2-49	1.15/16"	49mm	HX-5-57	2-1/4"	-	HX-10-77	3-1/16"	-	HX-20/25-85	-	85mm	HX-40-140	5-1/2"	140mm
HX-2-50	-	50mm	HX-5-58	2-5/16"	-	HX-10-79	3-1/8"	-	HX-20/25-86	3-3/8"	-	HX-40-141	5-9/16"	-
HX-2-51	2"	-	HX-5-60	2-3/8"	60mm	HX-10-80	-	80mm	HX-20/25-87	3-7/16"	-	HX-40-142	5-5/8"	-
HX-2-52	2.1/16"	-	HX-5-61	2-7/16"	-	HX-10-81	3-3/16"	-	HX-20/25-89	3-1/2"	-	HX-40-144	5-11/16"	-
HX-2-54	2.1/8"	-	HX-5-63	2-1/2"	-	HX-10-82	3-1/4"	-	HX-20/25-90	-	90mm	HX-40-145	-	145mm
HX-2-55	2.3/16"	55mm	HX-5-65	2-9/16"	65mm	HX-10-84	3-5/16"	-	HX-20/25-91	3-9/16"	-	HX-40-146	5-3/4"	-
HX-2-57	2.1/4"	-	HX-5-66	2-5/8"	-	HX-10-85	-	85mm	HX-20/25-92	3-5/8"	-	HX-40-147	5-13/16"	-
HX-2-59	2.5/16"	-	HX-5-68	2-11/16"	-	HX-10-86	3-3/8"	-	HX-20/25-93	3-11/16"	-	HX-40-149	5-7/8"	-
HX-2-60	2.3/8"	60mm	HX-5-70	2-3/4"	70mm	HX-10-87	3-7/16"	-	HX-20/25-95	3-3/4"	95mm	HX-40-150	-	150mm
HX-2-62	2.7/16"		HX-5-71	2-13/16"	-	HX-10-88	3-1/2"	-	HX-20/25-96	3-13/16"	-	HX-40-151	5-15/16"	-
HX-2-64	2.1/2"		HX-5-73	2-7/8"	-	HX-10-90	-	90mm	HX-20/25-98	3-7/8"	-	HX-40-152	6"	-
HX-2-65	2.9/16"	65mm	HX-5-75	2-15/16"	75mm	HX-10-91	3-9/16"	-	HX-20/25-100	3-15/16"	100mm	HX-40-153	6-1/16"	-
			HX-5-76	3"	-	HX-10-92	3-5/8"	-	HX-20/25-101	4"	-	HX-40-155	-	155mm
			HX-5-77	3-1/16"	-	HX-10-93	3-11/16"	-	HX-14-104	4-1/6"	-	HX-40-156	6-1/8"	-
			HX-5-79	3-1/8"	-	HX-10-95	3-3/4"	95mm	HX-20/25-105	4-1/8"	105mm	HX-40-157	6-3/16"	-
			HX-5-80	-	80mm	HX-10-96	3-13/16"	-	HX-20/25-106	4-3/16"	-	HX-40-158	6-1/4"	-
						HX-10-98	3-7/8"	-	HX-20/25-107	4-1/4"	-	HX-40-160	-	160mm
						HX-10-100	3-15/16"	100mm	HX-20/25-109	4-5/16"	-	HX-40-161	6-5/16"	-
						HX-10-101	4"	-	HX-20/25-110	-	110mm	HX-40-162	6-3/8"	-
						HX-10-103	4-1/16"	-	HX-20/25-111	4-3/8"	-	HX-40-163	6-7/16"	-
						HX-10-105	4-1/8"	105mm	HX-20/25-112	4-7/16"	-	HX-40-165	6-1/2"	165mm
									HX-20/25-114	4-1/2"	-	HX-40-166	6-9/16"	-
									HX-20/25-115	-	115mm	HX-40-168	6-5/8"	-
									HX-20/25-117	-	117mm	HX-40-170	6-11/16"	170mm
												HX-40-171	6-3/4"	-
												HX-40-173	6-13/16"	-
												HX-40-174	6-7/8"	-
												HX-40-175	-	175mm