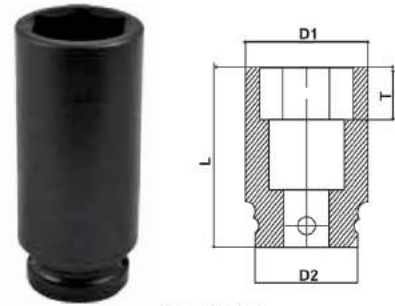


Standard Socket

6 POINTS IMPACT SOCKETS



Deep Socket

Model No.	Square Drive	Nut A/F		D1	D2	S	T	L
		inch	mm					
TI424	3/4"	-	24	40	44	46	21	90
TI427	3/4"	-	27	41	44	48	23	90
TI427F	3/4"	1.1/16	-	41	44	48	23	90
TI430	3/4"	-	30	44	44	52	24	90
TI431F	3/4"	1.1/4	-	49	44	52	24	90
TI432	3/4"	-	32	49	44	52	26	90
TI436	3/4"	-	36	52	44	55	28	90
TI436F	3/4"	1.7/16	-	52	44	56	28	90
TI441	3/4"	-	41	57	44	59	36	90
TI441F	3/4"	1.5/8	-	57	44	59	36	90
TI446	3/4"	-	46	67	44	64	37	90
TI446F	3/4"	1.13/16	-	67	44	64	36	90
TI450	3/4"	-	50	70	54	67	39	90
TI451F	3/4"	2	-	73	54	67	39	90
TI455	3/4"	-	55	78	54	71	41	94
TI455F	3/4"	2.3/16	-	78	54	71	41	94
TI460	3/4"	-	60	82	52	75	45	98
TI460F	3/4"	2.3/8	-	82	54	75	45	98
TI524	1"	-	24	42	54	55	21	100
TI527	1"	-	27	46	54	55	23	100
TI527F	1"	1.1/16	-	46	54	55	23	100
TI530	1"	-	30	50	54	57	24	100
TI531F	1"	1.1/4	-	51	54	57	24	100
TI532	1"	-	32	51	54	57	26	100
TI536	1"	-	36	54	54	60	28	100
TI536F	1"	1.7/16	-	54	54	60	28	100
TI541	1"	-	41	63	54	64	36	100
TI541F	1"	1.5/8	-	63	54	64	36	100
TI546	1"	-	46	70	54	69	36	100
TI546F	1"	1.13/16	-	70	54	69	36	100
TI550	1"	-	50	73	54	72	36	100
TI551F	1"	2	-	73	54	72	39	100
TI555	1"	-	55	82	54	76	41	105
TI555F	1"	2.3/16	-	82	54	80	41	105
TI560	1"	-	60	86	54	82	45	112
TI560F	1"	2.3/8	-	88	54	85	45	112
TI565	1"	-	65	92	54	85	46	118
TI565F	1"	2.9/16	-	92	54	85	46	118
TI570	1"	-	70	96	54	88	50	124
TI570F	1"	2.3/4	-	96	54	88	50	124
TI575	1"	-	75	100	86	92	57	124
TI575F	1"	2.15/16	-	100	86	92	57	124
TI579F	1"	3.1/8"	-	105	86	97	57	132
TI580	1"	-	80	105	86	97	62	132
TI585	1"	-	85	115	86	100	62	132
TI588F	1"	3.1/2"	-	121	86	104	62	140
TI590	1"	-	90	127	86	104	62	140
TI595	1"	-	95	135	86	106	62	140
TI597F	1"	3.7/8"	-	135	86	112	62	143

Model No.	Square Drive	Nut A/F		D1	D2	S	T	L
		inch	mm					
TI5100	1"	-	100	135	86	112	62	143
TI636	1.1/2"	-	36	64	86	80	28	130
TI641	1.1/2"	-	41	69	86	83	32	130
TI646	1.1/2"	-	46	76	86	86	36	130
TI646F	1.1/2"	1.13/16	-	76	86	86	36	130
TI650	1.1/2"	-	50	81	86	90	39	130
TI651F	1.1/2"	2	-	81	86	90	39	130
TI655	1.1/2"	-	55	88	86	95	41	140
TI655F	1.1/2"	2.3/16	-	88	86	95	41	140
TI660	1.1/2"	-	60	96	86	98	45	140
TI660F	1.1/2"	2.3/8	-	96	86	98	45	140
TI665	1.1/2"	-	65	102	86	102	46	140
TI665F	1.1/2"	2.9/16	-	102	86	102	46	140
TI670	1.1/2"	-	70	108	86	102	50	150
TI670F	1.1/2"	2.3/4	-	108	86	102	50	150
TI675	1.1/2"	-	75	116	86	108	57	150
TI675F	1.1/2"	2.15/16	-	116	86	108	57	150
TI680	1.1/2"	-	80	120	86	110	62	150
TI680F	1.1/2"	3.1/8	-	120	86	110	62	150
TI685	1.1/2"	-	85	130	86	115	62	170
TI690	1.1/2"	-	90	135	125	118	65	170
TI690F	1.1/2"	3.1/2	-	135	125	118	65	170
TI695	1.1/2"	-	95	140	125	123	70	170
TI6100	1.1/2"	-	100	148	125	128	75	190
TI6100F	1.1/2"	3.7/8	-	148	125	128	75	190
TI6105	1.1/2"	-	105	155	125	133	80	190
TI6106F	1.1/2"	4.1/4	-	155	125	133	80	190
TI6110	1.1/2"	-	110	161	150	138	85	200
TI6115	1.1/2"	-	115	161	150	143	94	200
TI6120F	1.1/2"	4.5/8	-	175	150	149	94	200
TI780	2.1/2"	-	80	135	125	140	62	190
TI780F	2.1/2"	3.1/8	-	135	125	140	62	190
TI785	2.1/2"	-	85	140	125	140	62	190
TI790	2.1/2"	-	90	145	125	140	65	190
TI795	2.1/2"	-	95	155	125	150	70	190
TI796F	2.1/2"	3.7/8	-	155	125	150	70	190
TI7100	2.1/2"	-	100	160	125	150	75	200
TI7105	2.1/2"	-	105	165	125	160	80	200
TI7110	2.1/2"	-	110	174	150	160	85	210
TI7115	2.1/2"	-	115	180	150	170	90	210
TI7115F	2.1/2"	4.1/2	-	180	150	170	90	210
TI7125F	2.1/2"	5	-	195	150	175	98	220
TI7130	2.1/2"	-	130	195	150	175	98	220
TI7135F	2.1/2"	5.3/8	-	205	150	180	102	220
TI7145	2.1/2"	-	145	220	150	180	105	230
TI7145F	2.1/2"	5.3/4	-	220	150	180	105	230
TI7155F	2.1/2"	6.1/8	-	230	180	190	110	250
TI7165F	2.1/2"	6.1/2	-	240	180	200	120	-
TI7175F	2.1/2"	6.7/8	-	255	180	200	120	-